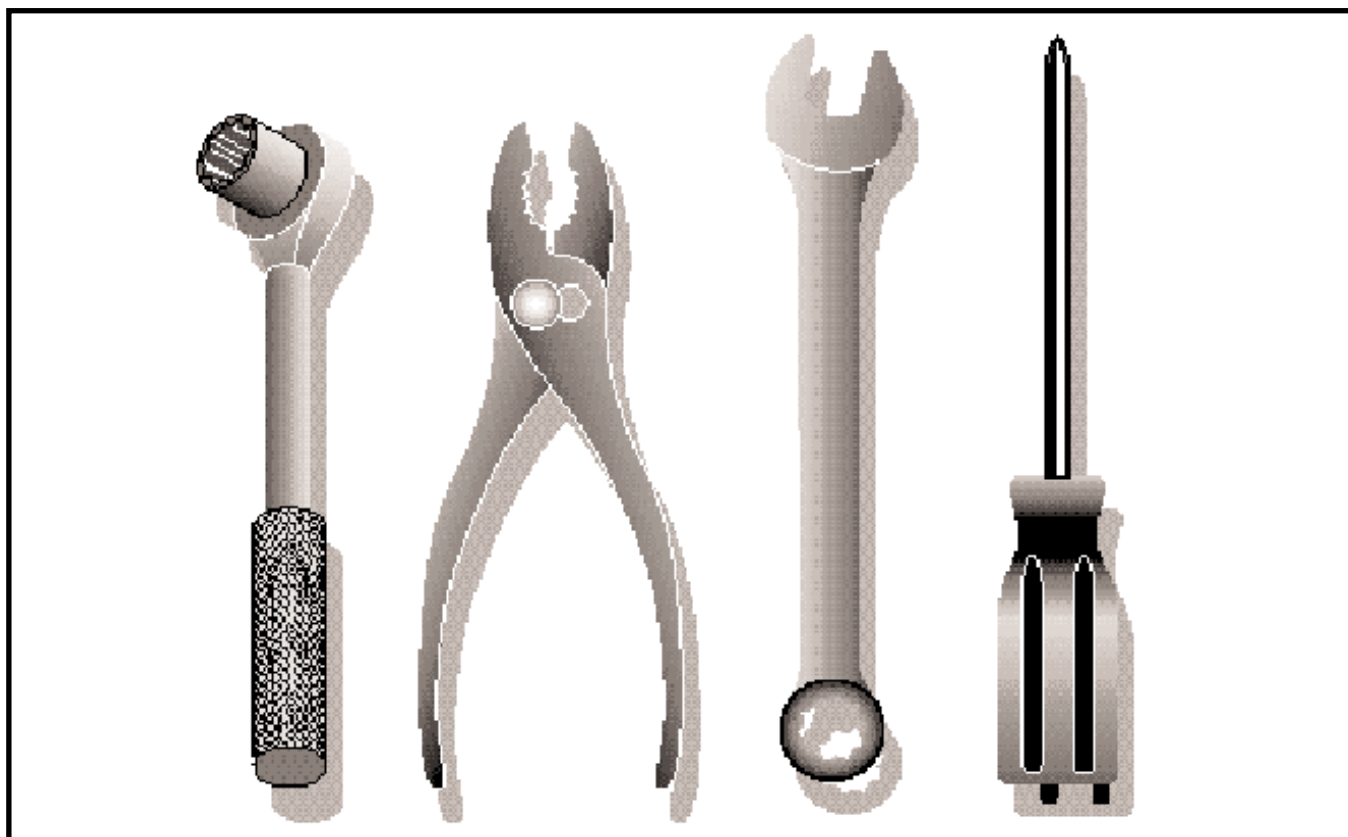


Ride Mower

GT160 (H1644C)



REPAIR PARTS

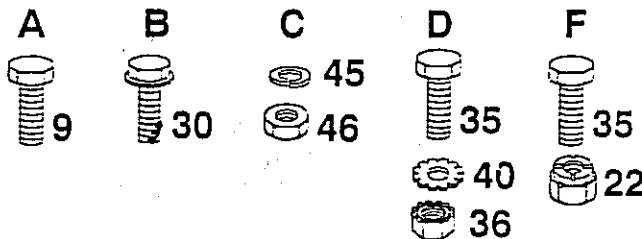
16 HP 44" RIDING GARDEN TRACTOR -- MODEL NUMBER GT160

ELECTRICAL

KEY PART NO. NO.	DESCRIPTION	KEY PART NO. NO.	DESCRIPTION
1	532123198 Nut, Wing 1/4-20	28	532126018 Switch, PTO
2	819091016 Washer 9/32 x 5/8 x 16 Gauge	29	532124995 Clip, Insulated
3	532102476 Guard, Terminal	30	817021008 Screw, Hex, Tap #10-24 UNC
4	872240460 Bolt, Carriage 1/4-20 x 7-1/2	31	532124996 Clip, Fuel Line
5	532121537 Battery	32	532109596 Clamp, Hose
6	532124886 Tray, Battery	33	532102501 Loop, Wire
7	532124384 Harness, Ignition (Includes Key #41)	34	532108824 Fuse
8	532110940 Meter, Hour -	35	874780408 * Bolt, Hex 1/4-20 x 1/2 Grade 5
9	817011008 Screw #10-24 x 1/2	36	873510400 Nut, Hex, Keps 1/4-20
10	532110859 Harness, Light Socket	37	874760412 * Bolt, Hex 1/4-20 x 3/4
11	532124893 Bulb, Light	38	810040400 * Washer, Lock 1/4
12	532100541 Tube, Battery Tray	39	873220400 * Nut, Hex 1/4-20
13	532124756 Tie, Cable	40	811050400 Washer, Lock, External Tooth 1/4
14	532109553 Switch, Interlock (Clutch)	41	532109748 Relay
15	532124770 Cable, Battery (2)	42	811050600 Washer, Lock, External Tooth 3/8
16	532102972 Switch, Ignition	43	532126825 Switch, Oil Sensor
17	532131563 Cover, Terminal	44	532109081 Solenoid
18	532124211 Nut, Ignition	45	810090400 Washer, Lock 1/4
19	532122147 Key, Molded	46	873350400 * Nut, Hex, Jam 1/4-20
20	532109555 Light, Package	47	532127385 Sensor, Low Voltage
21	532110712 Switch, Light	49	532110143 Bulb, Light Package
22	873680400 Nut, Crownlock 1/4-20		
23	532121264 Caps, Battery		
24	532121305 Switch, Plunger		
25	532123620 Bezel, Ignition		
26	532124932 Nut, Hex		
27	532124773 Cable, Battery		

* STANDARD HARDWARE - PURCHASE LOCALLY

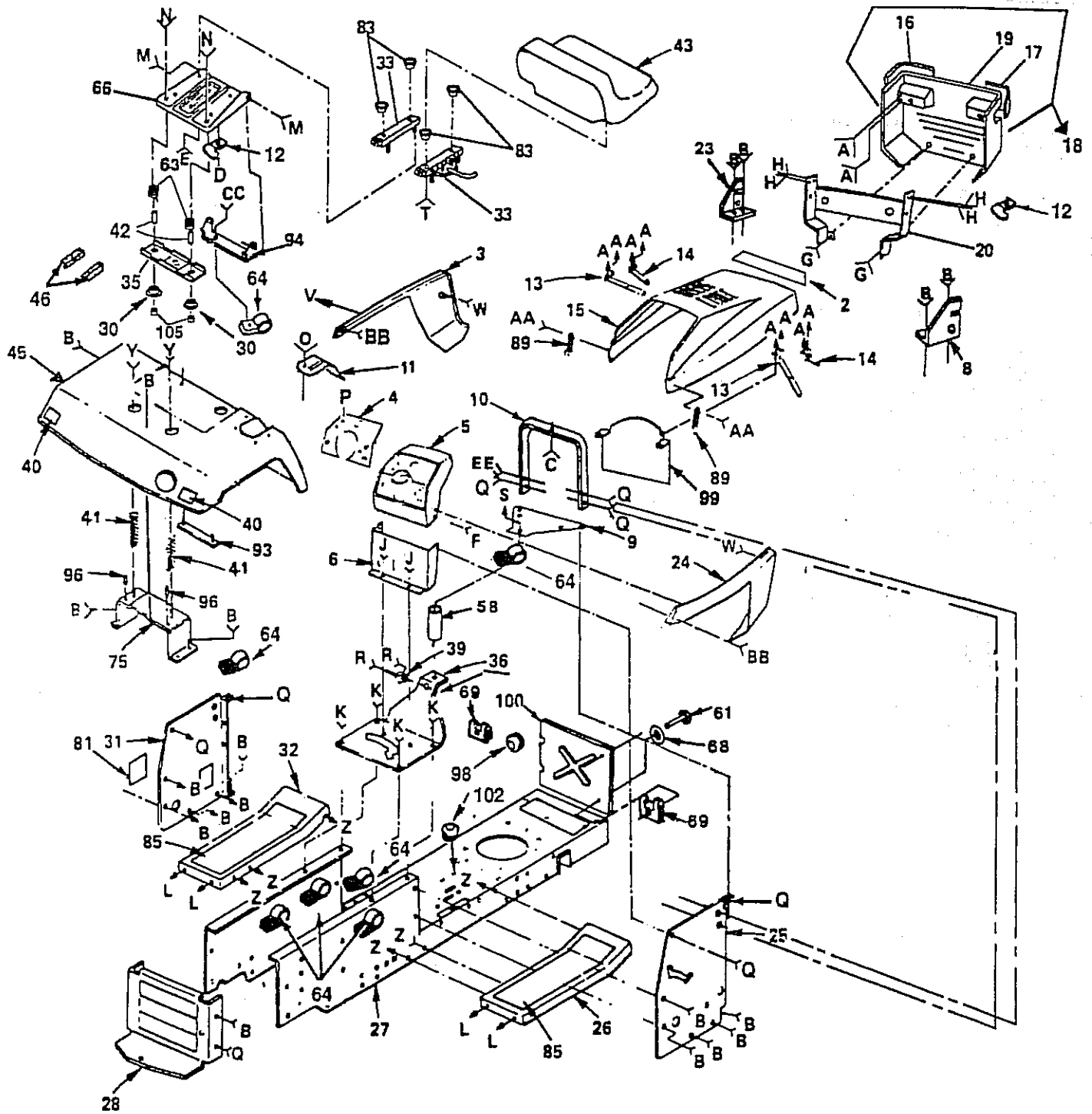
NOTE: All component dimensions given in U.S. inches.
1 inch = 25.4 mm



REPAIR PARTS

16 HP 44" RIDING GARDEN TRACTOR -- MODEL NUMBER GT160

CHASSIS ENCLOSURES



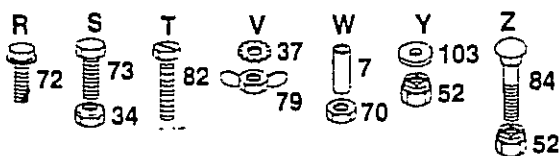
A	AA	B	BB	C	CC	D	E	EE	F	G	H	J	K	L	M	N	O	P	Q
49	48	57	90	80	52	1	21	53	53	59	60	76	65	50	95	44	54	76	50
	101			70		104	34	77	51	71	62	34		51	34	22	38	67	52
	86		91					52	52	78				52			29	74	
	87		97																
	88		92																

REPAIR PARTS

16 HP 44" RIDING GARDEN TRACTOR -- MODEL NUMBER GT160

CHASSIS ENCLOSURES

KEY NO.	PART NO.	DESCRIPTION	KEY NO.	PART NO.	DESCRIPTION
1	874641008	Screw, Slotted Pan Head #10-32 x 1/2	52	873680600	Nut, Crownlock 3/8-16
2	532105037	Foam, Strip	53	874760616	* Bolt, Hex 3/8-16 x 1
3	532125009	Panel, Side, L.H.	54	874640806	* Screw #8-3/8
4	532124772	Dash, Plate	57	817490612	Screw, Hex Washer Hd. Thread Rolling 3/8-16 x 3/4 Type TT
5	532124182	Dashboard	58	532121236	Spacer
6	532104805	Dash, Assembly, Lower	59	874760440	Bolt, Hex 1/4-20 x 2-1/2
7	532001260	Spacer	60	532123481	Bolt, Shoulder 1/4-20
8	532110853	Bracket, Assembly, R.H.	61	532123650	Stud 1/4 Turn
9	532106965	Plate, Support, Battery	62	873680400	Nut, Crownlock 1/4-20
10	532124130	Support, Assembly, Dash	63	532123740	Spring, Compression
11	532123825	Console, Shifter	64	532124996	Clip, Insulated
12	532124967	Clip, Insulated	65	817490608	Screw, Hex Washer Hd. Thd. Forming 3/8-16 x 1/2 Type TT
13	532106784	Strap, Assembly, Hinge, Rear	66	532124294	Pan, Seat
14	532104618	Strap, Assembly, Hinge, Front	67	819111116	Washer 11/32 x 11/16 x 16 Gauge
15	532125007	Hood	68	532105838	Retainer 1/4 Turn
16	532124250	Lens, L.H.	69	532105839	Receptacle 1/4 Turn
17	532124251	Lens, R.H.	70	873220400	Nut, Hex 1/4-20
18	532127320	Grill Assembly (Inc. Key #16, 17 & 19)	71	819091216	Washer 9/32 x 3/4 x 16 Gauge
19	532127325	Grill	72	817431008	Screw, Hex Head Self Tapping #10-16 x 1/2 Type B
20	532124574	Support Assembly, Grill	73	874760532	* Bolt, Hex 5/16-18 x 2 Grade 2
21	819111610	Washer 11/32 x 1 x 10 Ga.	74	873510500	Nut, Keps 5/16-18
22	532123976	Locknut, Hex, Large Flange 1/4-20 UNC	75	532105509	Bracket Assembly, Fender
23	532110852	Bracket, Assembly, L.H.	76	874180512	Screw, Mach 5/16-18 x 3/4
24	532125008	Panel, Side, R.H.	77	811050600	Washer, Lock 3/8 External Tooth
25	532110828	Panel, Dash, R.H.	78	532121235	Spacer
26	532124914	Footrest, R.H.	79	532123198	Nut, Wing 1/4-20
27	532127166	Chassis	80	811050400	Washer, Lock 1/4 Int./External
28	532123785	Drawbar	81	532121794	Cover, Access
29	819060718	Washer 3/16 x 7/16 x 18 Gauge	82	817190516	Screw, Hex 5/16-18 x 1
30	532121248	Bushing, Snap	83	532124427	Spacer
31	532124118	Panel, Dash, L.H.	84	872110606	* Bolt, Carriage 3/8-16 x 3/4
32	532124899	Footrest, L.H.	85	532108256	Pad, Footrest
33	532124428	Slide Set, Seat	86	874191008	Screw, Cross Recess Pan Hd. Machine #10-24 x 1/2
34	873680500	Locknut 5/16-18	87	810071000	* Washer, Lock #10
35	532121246	Bracket, Switch Mount	88	532125004	Nut, Weld
36	532124771	Saddle	89	532109808	Latch, Hood
37	811030400	Washer, Lock 1/4 Int./External	90	874981020	Screw, Machine CR #10-24 x 1-1/4
38	810100800	Washer, Lock #8	91	532007206	Spacer, Split #10 x 3/4
39	532124720	Bushing, Steering	92	873731000	Nut, Keps #10-24
40	532106202	Reflector, Taillight	93	532105511	Strap Assembly, Fender
41	532124181	Spring, Compression	94	532126656	Bracket, Pivot, Seat
42	532130481	Spacer, Split 0.28 x 0.88	95	532105529	Bolt, Shoulder 5/16-18
43	532124187	Seat	96	532105531	Nut, Push
44	872050411	Bolt, Carriage 1/4-20 x 1-1/4	97	819070818	Washer 7/32 x 1/2 x 18 Gauge
45	532124929	Fender	98	532110436	Grommet, Split
46	532121251	Foam, Strip	99	532126493	Baffle, Rear Upper
48	532110356	Cap, Snap	100	532108105	Shield, Heat
49	873510400	* Nut, Hex Keps 1/4-20	101	532110357	Washer, Snap Cap
50	874760612	* Bolt, Hex 3/8-16 x 3/4	102	532124934	Grommet
51	819131312	Washer 13/32 x 13/16 x 12 Gauge	103	819131614	Washer 13/32 x 1 x 14 Gauge
			104	873951000	Nut, Keps #10-32 UNC
			105	532124238	Cap, Spring, Seat



* STANDARD HARDWARE - PURCHASE LOCALLY

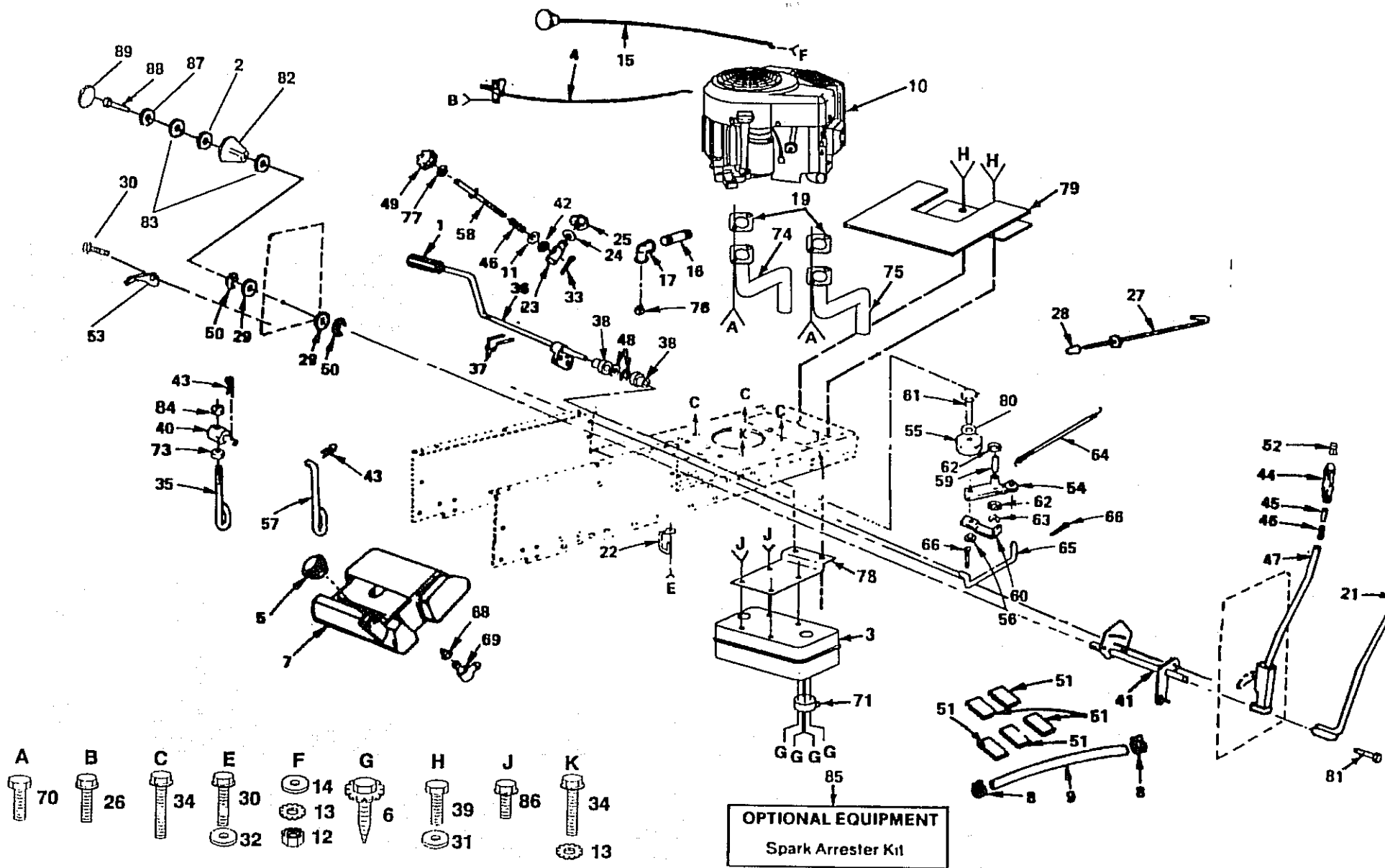
NOTE: All component dimensions given in U.S. inches.
1 inch = 25.4 mm

REPAIR PARTS

16 HP 44" RIDING GARDEN TRACTOR -- MODEL NUMBER GT160

ENGINE AND DRIVE CONTROLS GROUP

34



REPAIR PARTS

16 HP 44" RIDING GARDEN TRACTOR - - MODEL NUMBER GT160

ENGINE AND DRIVE CONTROLS GROUP

KEY NO.	PART NO.	DESCRIPTION	KEY NO.	PART NO.	DESCRIPTION
1	532123533	Cover, Foot Pedal	47	532121002	Lever Assembly, Hand Kit (Incl. Key No. 21)
2	532120529	Washer, Nylon	48	819211616	Washer 21/32 x 1 x 16 Gauge
3	532122440	Muffler	49	532121891	Handle, Adjust, Lift
4	532132748	Control, Throttle	50	812000022	E-Ring
5	532124462	Cap, Fuel	51	532006431	Pad, Spacer
6	817450808	Screw, Spider Lock	52	532124526	Button, Plunger
7	532106020	Tank, Fuel	53	532124763	Pointer, Height Indicator
8	532123487	Clamp, Hose	54	532123789	Arm Assembly, Idler
9	532008543	Line, Fuel	55	532127783	Pulley, Idler
10	532131958	Engine, Briggs & Stratton, Model Number 303777 Type No. 0322-01 or 0322-07	56	873680600	Locknut 3/8-16
11	819131016	Washer 13/32 x 5/8 x 16 Gauge	57	532110029	Link, Lift
12	873610600	Nut, Hex 3/8-24	58	532110729	Rod, Adjust, Lift
13	811050600	* Washer, Lock, External Tooth 3/8	59	532105706	Bearing
14	819131316	* Washer 13/32 x 13/16 x 16 Gauge	60	532123205	Retainer, Belt
15	532132781	Control, Choke	61	874760624	* Bolt, Hex 3/8-16 x 1-1/2
16	813280336	Nipple, STD Pipe	62	532110812	Washer, Hardened
17	813200300	Elbow, 90° 3/8 NPT	63	812000039	Ring, Klip
19	-----	Gasket, Muffler (see engine pages for replacement number)	64	532105709	Spring, Return, Clutch
21	532121006	Rod Assembly, Lever	65	532105710	Link, Clutch
22	532123788	Retainer, Belt, Chassis, L.H.	66	876020412	Pin, Cotter 1/8 x 3/4
23	532110810	Trunnion, Stop, Depth	68	532124952	Bushing
24	819151216	Washer 15/32 x 3/4 x 16 Gauge	69	532124951	Stem, Tank, Fuel
25	812000037	Ring, Klip	70	-----	Bolt, Metric (see engine pages for replacement number)
26	817720410	Screw, Hex Washer Hd. Thread Cutting 1/4-20 x 1/2	71	532101326	Deflector, Muffler
27	532125637	Rod, Brake, Park	73	873360700	Nut, Hex, Jam 7/16-20
28	532071673	Cap, Plunger	74	532122434	Tube Assembly, Exhaust, L.H.
29	819292016	Washer 29/32 x 1-1/4 x 16 Gauge	75	532122435	Tube Assembly, Exhaust, R.H.
30	817490612	Screw, Hex Washer Thread Rolling 3/8-16 x 3/4	76	-----	Plug, Drain, Oil (Supplied by Eng. Manufacturer)
31	819131614	* Washer 13/32 x 1 x 14 Gauge	77	873350600	Nut, Hex, Jam 3/8-16
32	819131316	Washer 13/32 x 1-3/16 x 16 Gauge	78	532122439	Bracket, Muffler, Mounting
33	876020308	Pin, Cotter 3/32 x 1/2	79	532122981	Shield, Heat
34	817490624	Screw, Hex Washer Hd. Thd. Rolling 3/8-16 x 1-1/2 Type TT	80	819131316	Washer 13/32 x 13/16 x 16 Gauge
35	532110448	Lift, Link, Adjustable	81	874780624	Bolt, Hex 3/8-16 x 1-1/2
36	532122424	Shaft, Pedal, Foot	82	532123934	Scale, Height Indicator
37	532001572	Pin, Roll 3/16 x 1	83	819112410	Washer 11/32 x 1-1/2 x 10 Gauge
38	532120183	Bearing, Nylon	84	873710700	Nut, Crownlock 7/16-20
39	817490512	Screw 5/16-18 x 3/4	85	532121851	Spark Arrestor Kit
40	532110447	Trunnion, Lift	86	817490408	Screw, Hex Washer Hd. Thread Cutting 1/4-20 x 1/2
41	532131926	Shaft Assembly, Lift	87	810040500	Washer, Lock
42	532110807	* Nut, Special	88	874780516	Bolt, Hex 5/16-18 x 1
43	532124670	Retainer, Spring	89	532123935	Plug, Hole
44	532125631	Grip, Handle			
45	532122364	Plunger, Lever, Lift			
46	532124874	Spring			

* STANDARD HARDWARE - PURCHASE LOCALLY

NOTE: All component dimensions given in U.S. inches.
1 inch = 25.4 mm

REPAIR PARTS

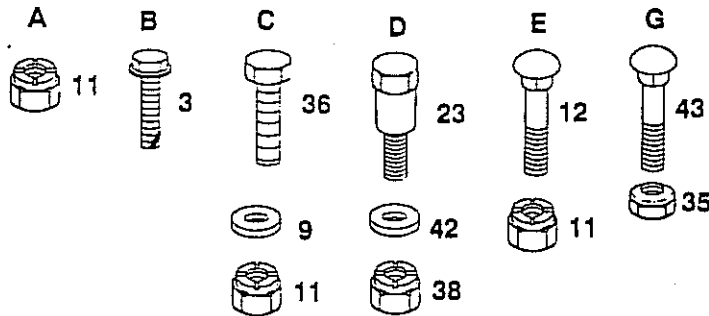
16 HP 44" RIDING GARDEN TRACTOR - - MODEL NUMBER GT160

DRIVE CLUTCH AND LIFT GROUP

KEY PART NO.	PART NO.	DESCRIPTION
1	532109070	Belt, Retainer
2	532108236	Bracket, Switch
3	817021008	Screw, Tap. Hex Hd. #10-24 x 1/2
4	532105730	Keeper, Belt, Engine
5	532123796	V-Belt, Drive
6	819131316	Washer 13/32 x 13/16 x 16 Gauge
8	532121218	Keeper, Belt, Engine
9	819131312	Washer 13/32 x 13/16 x 12 Gauge
10	532121252	Upstop, Mower
11	873680600	Nut, Crownlock 3/8-16
12	872140608	Bolt, Carriage 3/8-16 x 1
15	819171516	Washer 17/32 x 15/16 x 16 Gauge
16	532121599	Arm Assembly, Suspension, L.H.
17	532124960	Spring, Retainer
18	532123674	Idler, Flat
19	873220800	* Nut, Hex 1/2-13
20	532106308	Trunnion, Lift Lower
22	532121598	Arm Assembly, Suspension, R.H.
23	532105848	Bolt, Shoulder 3/8 x 16
24	532123795	Pulley, Engine
25	871130768	Bolt, Hex 7/16-20 x 4 Grade 8
26	810040700	* Washer, Lock 7/16
27	874760644	* Bolt, Hex 3/8-16 x 2-3/4
28	532124965	Spacer
33	532124961	Spring, Retainer
35	873680500	Locknut 5/16-18
36	874760616	* Bolt, Hex 3/8-16 x 1
37	532108218	Clutch, Electric
38	873980600	Nut, Centerlock, Flange 3/8-16
39	532126197	Washer 1-1/2 x 15/32 x 1/4
40	532109169	Locator, Clutch
42	532110739	Washer, Spring
43	872140506	Bolt, Carriage 5/16-18 x 3/4

* STANDARD HARDWARE - PURCHASE LOCALLY

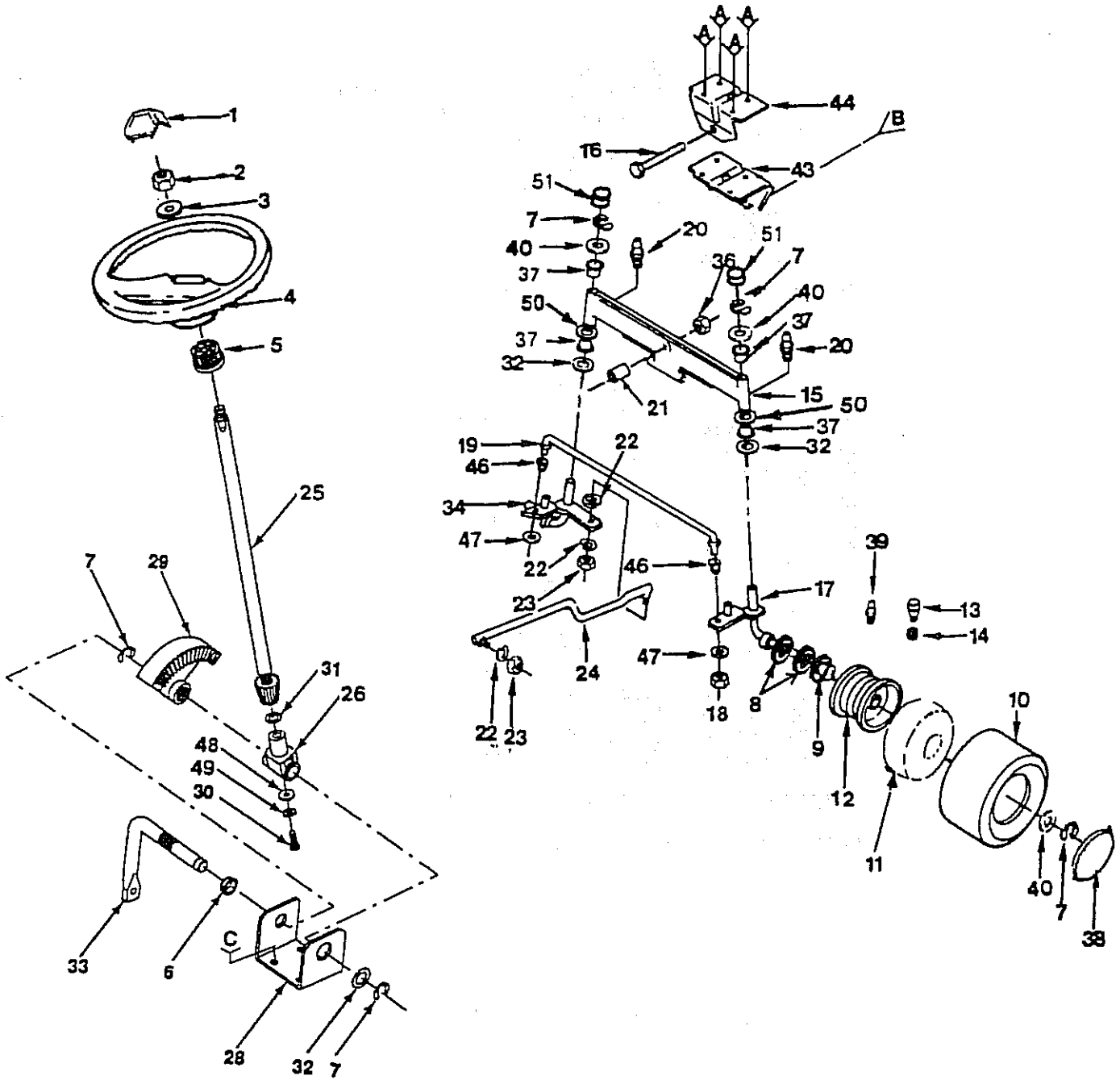
NOTE: All component dimensions given in U.S. inches.
1 inch = 25.4 mm



REPAIR PARTS

16 HP 44" RIDING GARDEN TRACTOR - - MODEL NUMBER GT160

STEERING, FRONT AXLE AND WHEELS



REPAIR PARTS

16 HP 44" RIDING GARDEN TRACTOR - - MODEL NUMBER GT160

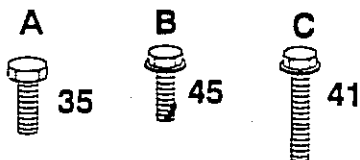
STEERING, FRONT AXLE AND WHEELS

KEY PART NO.	PART NO.	DESCRIPTION	KEY PART NO.	PART NO.	DESCRIPTION
1	532124416	Insert, Steering Wheel	29	532124034	Gear, Sector
2	873940800	* Nut, Hex, Jam, Toplock 1/2-20	30	871070410	Screw, Socket Hex 1/4-20 x 5/8
3	532100712	Washer 17/32 x 2-1/4 x .160	31	532057079	Washer
4	532124415	Wheel, Steering	32	532124931	Thrust, Bearing
5	532100711	Adapter, Steering Wheel	33	532127501	Shaft, Pitman
6	532109816	Nyliner, Snap In	34	532130460	Spindle Assembly, L.H.
7	812000029	Ring, Klip	35	532122819	Screw, Special 16 x 3/4
8	532121749	Washer 25/32 x 1-1/4 x 16 Gauge	36	873601000	Nut, Flange 5/8-11
9	532009040	Bearings, Wheel, Front	37	532124937	Bearing
10	532106222	Tire, Front	38	532124577	Cover, Wheel
11	532059904	Tube, Tire	39	532000278	Fitting, Grease
12	532125102	Rim Assembly, Front (Inc. 2 each Key # 9)	40	532121748	Washer 25/32 x 1-5/8 x 16 Gauge
13	532065139	Stem, Valve	41	817490612	Screw, Hex Washer Thdrl 3/8-16 x 3/4
14	532059192	Cap, Valve	43	532105664	Support, Saddle, Front
15	532108075	Axle Assembly, Front	44	532105663	Support, Saddle, Rear
16	874761060	Bolt, Hex 5/8-11 x 3-3/4	45	817490508	Screw, Hex Washer Thd. Rolling 5/16-18 x 1/2
17	532130459	Spindle Assembly, R.H.	46	819111216	Washer 11/32 x 3/4 x 16 Gauge
18	873810500	Nut, Hex, Nylon 5/16-24 UNF	47	810040500	* Washer, Lock Heavy Helical Spring
19	532130467	Rod, Tie	48	532126684	Washer, Shim 1/4 x 5/8 x .062
20	532124836	Fitting, Grease	49	810040400	Washer, Lock 1/4
21	532110438	Spacer, Bearing, Front Axle	50	819272016	Washer 27/32 x 1-1/4 x 16 Gauge
22	810040600	* Lock washer 3/8	51	532121232	Cap, Spindle
23	873610600	* Nut, Hex 3/8-24			
24	532130468	Link, Drag			
25	532128762	Shaft, Steering			
26	532124035	Support Shaft			
28	532124036	Bracket Assembly, Steering			

* STANDARD HARDWARE - PURCHASE LOCALLY

NOTE: All component dimensions given in U.S. inches.

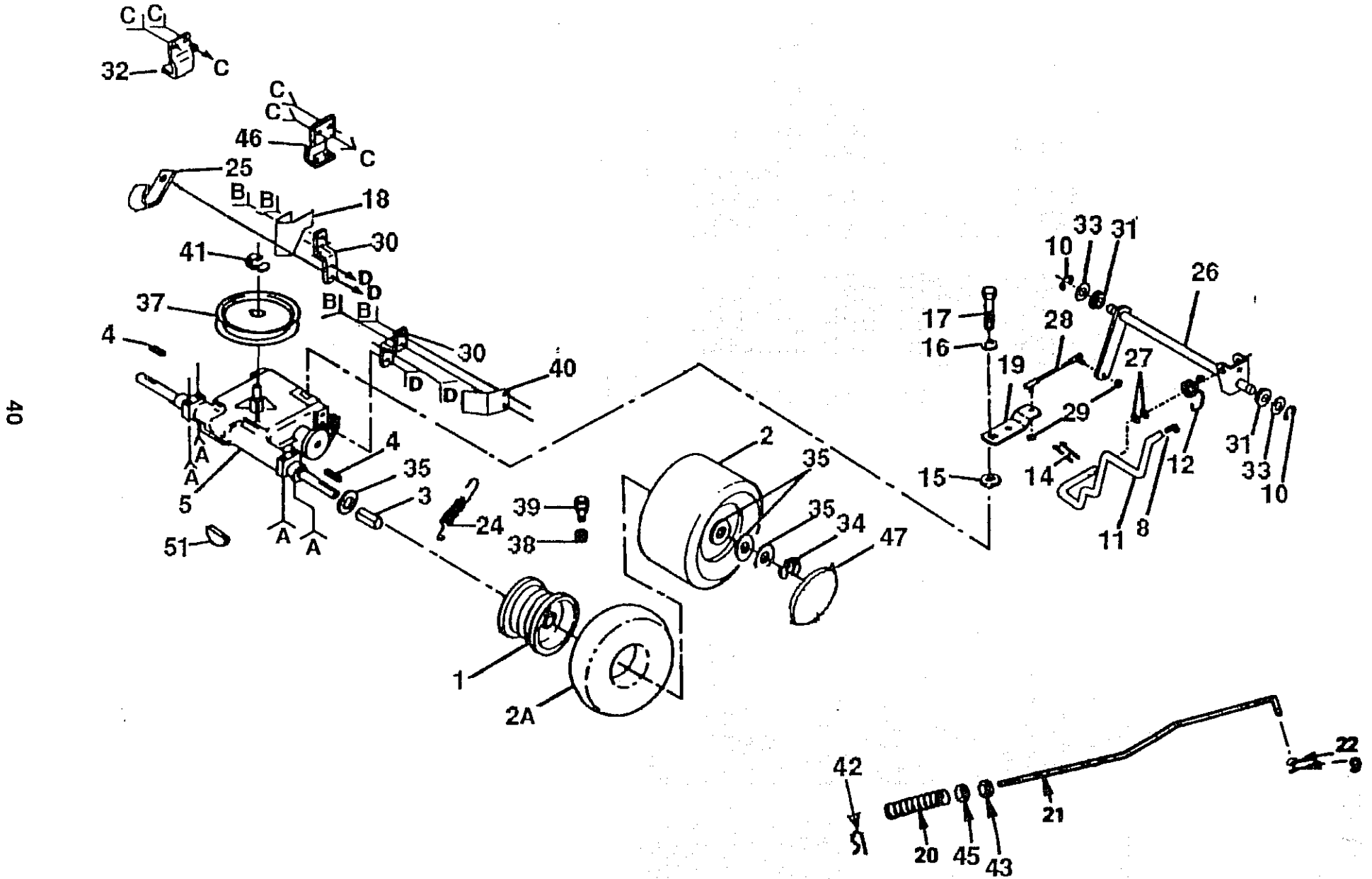
1 inch = 25.4 mm



REPAIR PARTS

16 HP 44" RIDING GARDEN TRACTOR -- MODEL NUMBER GT160

TRANSAXLE AND REAR WHEEL



REPAIR PARTS

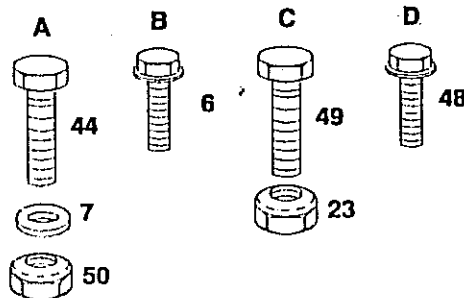
16 HP 44" RIDING GARDEN TRACTOR - - MODEL NUMBER GT160

TRANSAXLE AND REAR WHEEL

KEY PART NO.	PART NO.	DESCRIPTION	KEY PART NO.	PART NO.	DESCRIPTION
1	532124999	Rim Assembly, Rear	29	873530400	Nut 1/4-28
2	532124106	Tire	30	532123787	Strap, Torque
2A	532007154	Tube, Tire	31	532071208	Bushing, Steering Rod
3	532108097	Spacer, Split	32	532123780	Bracket, Transaxle, L.H.
4	532124762	Key, Square 1/4 x 2	33	819212016	Washer 21/32 x 1-1/4 x 16 Gauge
5	532123797	Transaxle, 6 Speed, Peerless Model No. 820-016	34	812000053	E-Ring
6	817490612	Screw, Hex Washer Hd. Thread Rolling 3/8-16 x 3/4	35	532123800	Washer 1-1/32 x 1-5/8 x 16 Gauge
7	819111214	Washer 11/32 x 3/4 x 14 Gauge	37	532121327	Pulley, Transaxle
8	532121274	Knob, Control	38	532059192	Cap, Valve
9	876020412	* Pin, Cotter 1/8 x 3/4	39	532065139	Stem, Valve
10	812000008	Ring, Klip	40	532123792	Keeper, Belt, Transaxle, R.H.
11	532123781	Rod, Shifter	41	812000004	Ring, Retainer
12	532123782	Spring, Torsion	42	532124788	Clip, Hairpin
14	876020416	Pin, Cotter 1/8 x 1	43	873350600	Nut, Hex, Jam 3/8-16
15	532105701	Washer, Shift Plate	44	874780544	* Bolt, Hex 5/16-18 x 2-3/4
16	819091216	Washer 9/32 x 3/4 x 16 Gauge	45	873800600	Locknut, Hex Washer Insert 3/8-16
17	871040412	Bolt, Hex 1/4-28 x 3/4 x 16 Grade 8	46	532123776	Bracket, Transaxle, R.H.
18	532123791	Keeper, Belt, Transaxle, L.H.	47	532124579	Cover, Wheel
19	532123794	Arm, Shift	48	817490512	Screw, Hex Washer Hd. Thd. Form. 5/16-18 UNC x 3/4 Type TT
20	532126909	Spring, Rod, Brake	49	874760612	* Bolt, Hex 3/8-16 x 3/4
21	532123786	Rod, Brake	50	873680500	Locknut 5/16-18
22	819131316	* Washer 13/32 x 13/16 x 16 Gauge	51	532125096	Key, Woodruff
23	873680600	* Locknut 3/8-16			
24	532110422	Spring, Brake Return			
25	532124996	Clip			
26	532123772	Shaft, Arm Shifter			
27	819171216	Washer 17/32 x 3/4 x 16 Gauge			
28	532123793	Rod, Tie			

* STANDARD HARDWARE - PURCHASE LOCALLY

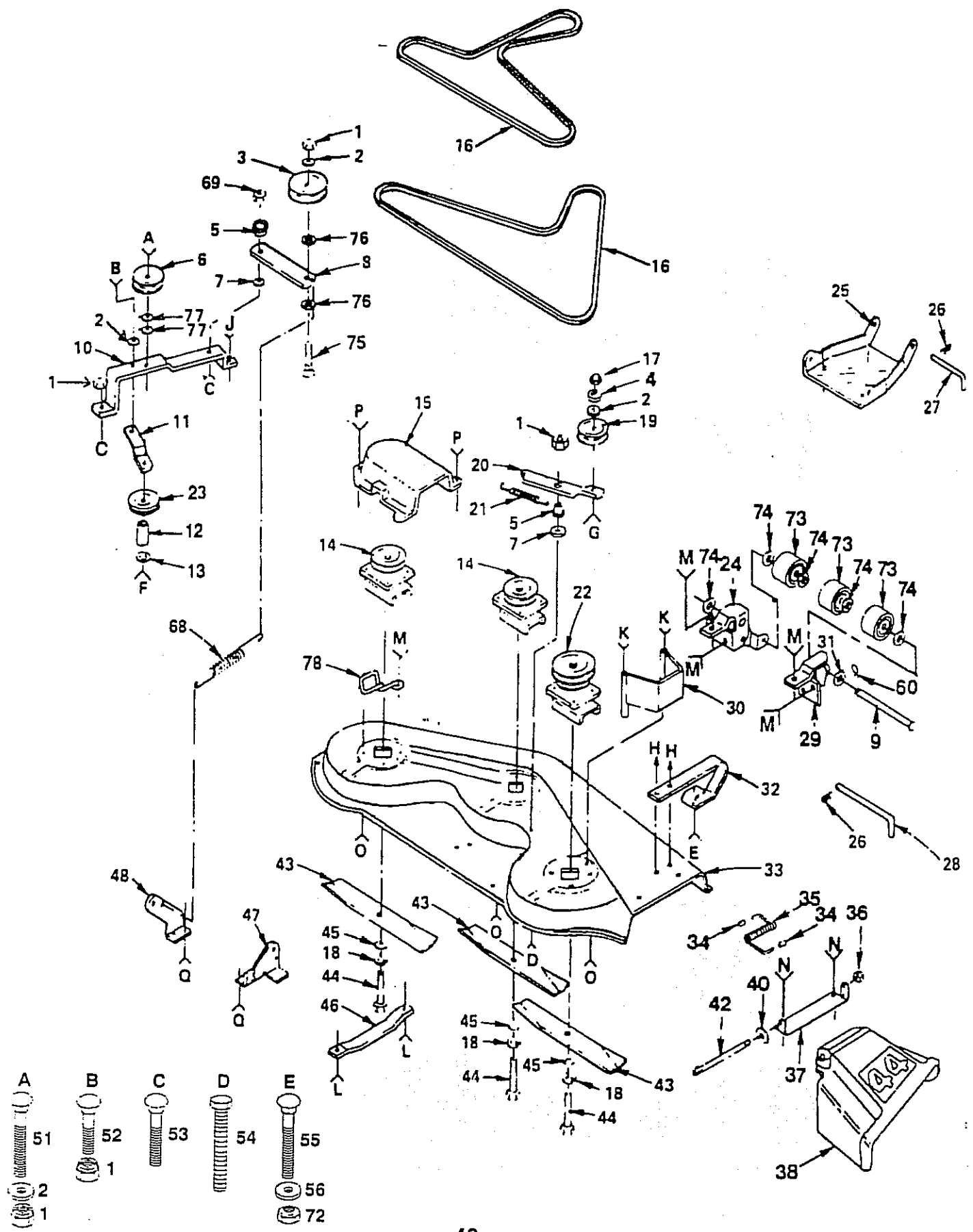
NOTE: All component dimensions given in U.S. inches.
1 inch = 25.4 mm



REPAIR PARTS

16 HP 44" RIDING GARDEN TRACTOR - - MODEL NUMBER GT160

MOWER



REPAIR PARTS

16 HP 44" RIDING GARDEN TRACTOR -- MODEL NUMBER GT160

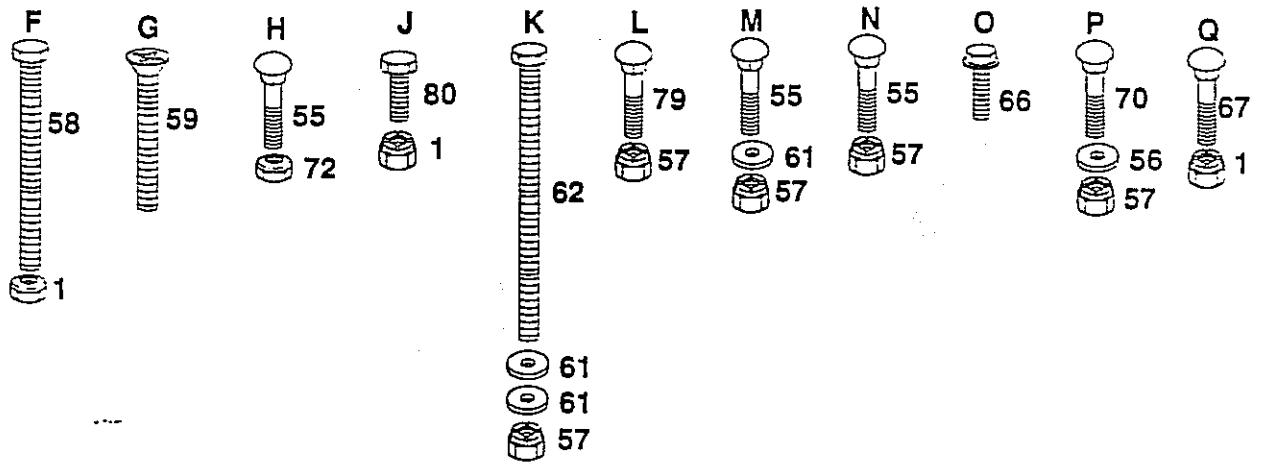
MOWER

KEY NO.	PART NO.	DESCRIPTION
1	873680600	* Nut, Crownlock 3/8-16
2	819131614	Washer 13/32 x 1 x 14 Gauge
3	532121316	Pulley, Idler
4	810040600	* Washer, Lock 3/8
5	532106902	Spacer
6	532124858	Pulley, Idler
7	532106513	Washer, Wear
8	532121425	Arm, Idler
9	532109776	Pin, Pivot
10	532106523	Bar, Support, Idler
11	532106522	Brace, Idler, Deck
12	532121236	Spacer
13	819131316	* Washer 13/32 x 13/16 x 16 Gauge
14	532121658	Mandrel, Secondary
15	532106214	Guard
16	532106085	V-Belt
17	873220600	* Nut, Hex 3/8-16
18	810030600	* Washer, Lock 3/8
19	532102932	Idler, Flat
20	532106526	Arm, Idler, Deck
21	532124885	Spring, Extension
22	532121705	Mandrel, Primary
23	532102403	Pulley, Idler
24	532109599	Bracket, Lift, L.H.
25	532105662	Link, Parallel
26	532124961	Retainer, Spring
27	532105744	Pin, Front, Hinge
28	532109835	Pin, Rear, Hinge
29	532109600	Bracket, Lift, R.H.
30	532108119	Guard, Belt, R.H.
31	819151616	* Washer 15/32 x 1 x 16 Gauge
32	532124950	Runner, R.H.
33	532121423	Housing, Mower
34	532105304	Cap, Sleeve
35	532106734	Spring
36	532110452	Nut, Push
37	532109743	Bracket, Deflector
38	532109785	Guard, Discharge
40	819111016	* Washer 11/32 x 5/8 x 16 Gauge

KEY NO.	PART NO.	DESCRIPTION
42	532106735	Rod, Hinge
43	532106635	Blade, Mower
44	874610624	* Bolt, Hex 3/8-24 x 1-1/2 Grade 5
45	819132012	Washer 13/32 x 1-1/4 x 12 Gauge
46	532125074	Runner, L.H.
47	532123807	Bracket, Suspension, Rear, R.H.
48	532123808	Bracket, Suspension, Rear, L.H.
51	872140614	* Bolt, Carriage 3/8-16 x 1-3/4
52	872140608	* Bolt, Carriage 3/8-16 x 1
53	872140612	* Bolt, Carriage 3/8-16 x 1-1/2
54	874760620	* Bolt, Hex 3/8-16 x 1-1/2
55	872140506	* Bolt, Carriage 5/16-18 x 3/4
56	819111116	* Washer 11/32 x 11/16 x 16 Gauge
57	873680500	* Nut, Crownlock 5/16-18
58	874760648	* Bolt, Hex 3/8-16 x 3
59	874110632	Screw, Flat Head 3/8-16 x 2
60	876020412	* Pin, Cotter 1/8 x 3/4
61	819111216	* Washer 11/32 x 3/4 x 16 Gauge
62	874760580	* Bolt, Hex 5/16-18 x 5
66	817490612	Screw, Hex, Washer Thrdol. 3/8-16 x 3/4
67	872140606	* Bolt, Carriage 3/8-16 x 3/4
68	532102727	Spring, Extension
69	873930600	* Nut, Centerlock 3/8-16
70	872110506	* Bolt, Carriage 5/16-18 x 3/4
72	532124949	Locknut 5/16-18
73	532109729	Roller, Nose
74	819151610	Washer 15/32 x 1 x 10 Gauge
75	872140620	* Bolt, Carriage 3/8-16 x 2-1/2
76	819131210	Washer 13/32 x 3/4 x 10 Gauge
77	819131410	Washer 13/32 x 7/8 x 10 Gauge
78	532121352	Keeper, L.H., Mandrel, Belt
79	872110505	* Bolt, Carriage 5/16-18 x 5/8
80	874760616	* Bolt, Fin, Hex 3/8-16 x 1
—	532131508	Mower Deck, Complete

* STANDARD HARDWARE - PURCHASE LOCALLY

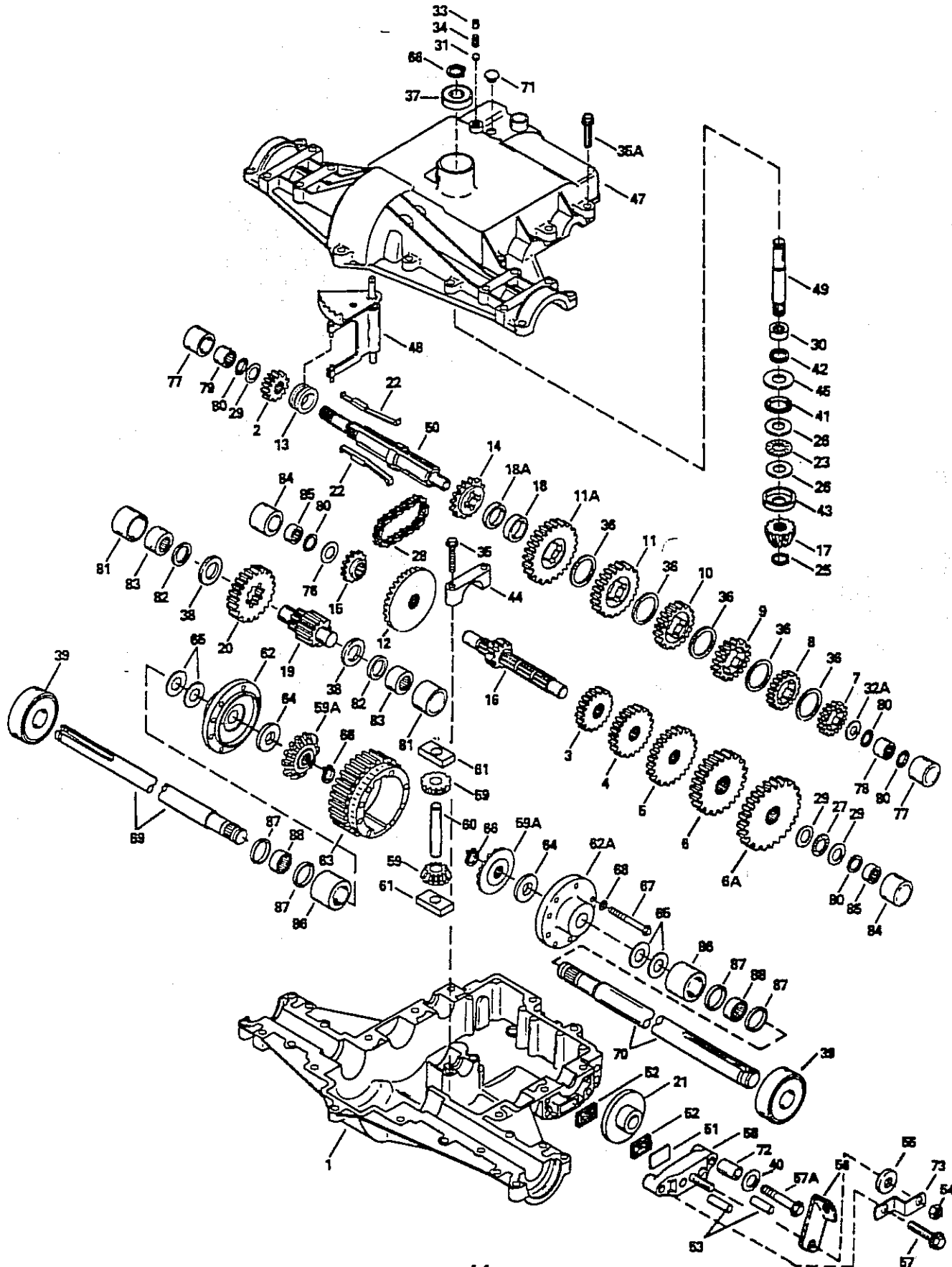
NOTE: All component dimensions given in U.S. inches.
1 inch = 25.4 mm



REPAIR PARTS

16 HP 44" RIDING GARDEN TRACTOR - - MODEL NUMBER GT160
TRANSAXLE - PEERLESS - MODEL NUMBER 820-016

TRANSAXLE



REPAIR PARTS

16 HP 44" RIDING GARDEN TRACTOR - - MODEL NUMBER GT160 TRANSAXLE - PEERLESS - MODEL NUMBER 820-016

TRANSAXLE

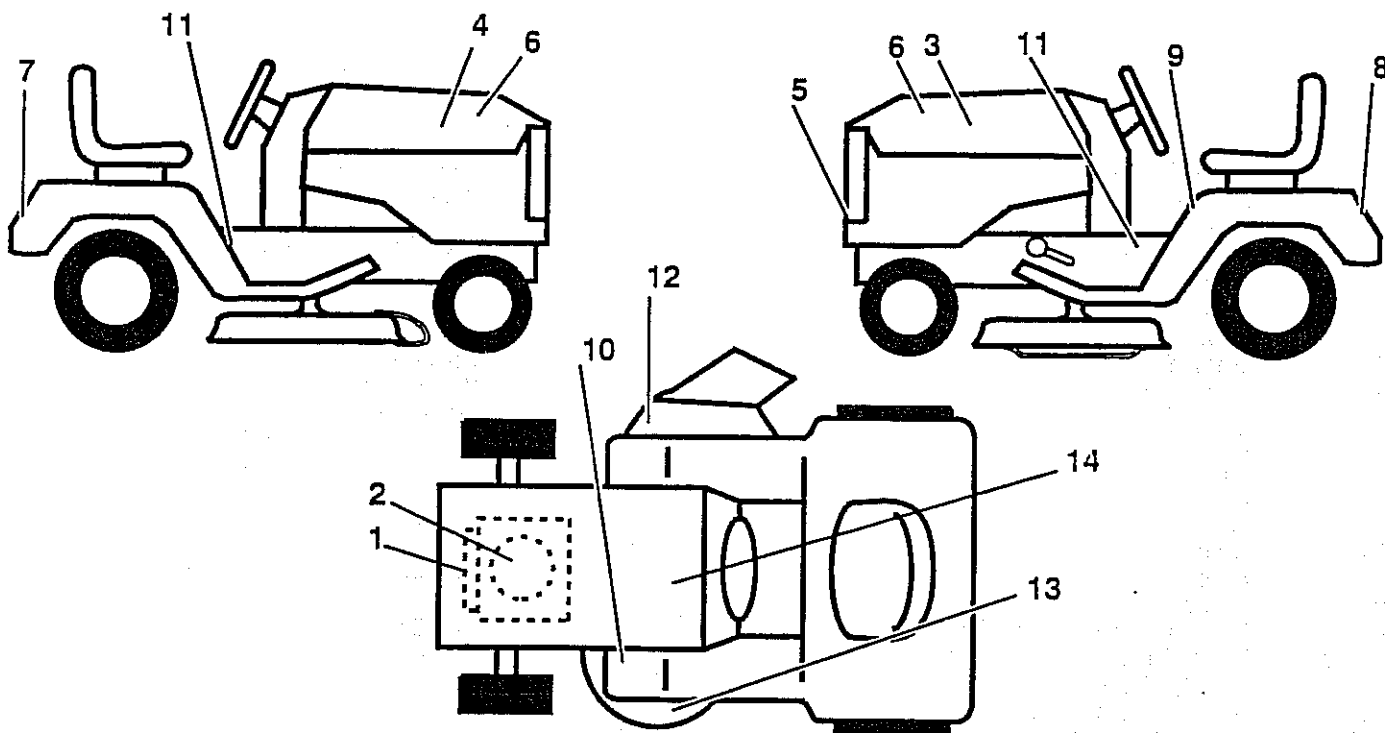
KEY PART NO. NO.	DESCRIPTION	KEY PART NO. NO.	DESCRIPTION
1 770088	Case, Transaxle	47 772098	Cover, Transaxle
2 778253	Gear, Spur 15 Teeth	48 784342	Rod and Fork Assembly, Shift
3 778211	Gear, Spur 12 Teeth	49 776274	Shaft, Input
4 778240	Gear, Spur 18 Teeth	50 776313	Shaft, Brake, 4 Keyed
5 778201	Gear, Spur 25 Teeth	51 790007	Plate, Brake Pad
6 778202	Gear, Spur 28 Teeth	52 790006	Pad, Brake
6A 778208	Gear, Spur 31 Teeth	53 786026	Pin, Dowel
7 778209	Gear, Spur 19 Teeth	54 792075	Locknut 5/16-24
8 778203A	Gear, Spur 22 Teeth	55 792076	Washer, Flat
9 778204A	Gear, Spur 25 Teeth	56 790047	Lever, Brake
10 778239A	Gear, Spur 32 Teeth	57 792073	Screw, Flanged Hex Head, Thread Forming 1/4-20 x 1-1/4
11 778207A	Gear, Spur 37 Teeth		Screw, Flanged Hex Head, Thread Forming 1/4-20 x 2-1/4
11A 778216A	Gear, Spur 41 Teeth	57A 792085	Holder, Brake Pad
12 778246	Gear, Bevel 33 Teeth	58 790025	Pinion, Differential Bevel
13 784216	Collar, Shift	59 778197	Gear, Bevel
14 786123	Sprocket 18 Teeth	59A 778198	Pin, Drive
15 786082	Sprocket 9 Teeth	60 786019	Block, Drive
16 776291	Shaft, Counter (with 9 Tooth Gear)	61 786027	Carrier, Differential, Threaded Holes
17 778245	Bevel Pinion, Input 13 Teeth	62 774833	Carrier, Differential
18 786121	Spacer, Neutral .350/.340 Thick	62A 774834	Gear, Ring 31 Teeth
18A 786122	Spacer, Neutral .276/.268 Thick	63 778248	Washer
19 776275	Shaft, Output 9 Teeth	64 780107	Washer, Thrust
20 778247	Gear, Output 35 Teeth	65 780042	Ring, Snap
21 790043	Disk, Brake	66 792018	Screw, Hex Head 1/4-20 x 2-1/4
22 792138	Key	67 792020	Washer, Lock 1/4
23 780084	Bearing, Thrust	68 792006	Axle 12-5/16"
25 788040	Ring, Retaining	69 774832	Axle 16-3/16"
26 780051	Washer, Thrust	70 774831	Plug, Hex Head 9/16-18 Thread
27 780071	Bearing, Thrust	71 792074	Spacer
28 786081	Chain, Roller (Number 41 Chain, 24 Links)	72 786067	Bracket, Brake Lever
29 780072	Washer, Thrust	73 786086	Washer
30 780155	Bearing, Needle	76 780153	Sleeve, Stepped
31 792077	Ball, Steel	77 786144	Bearing, Needle
32A 780139	Washer, Thrust	78 780150	Bearing, Needle, Capped
33 792078	Screw, Set 3/8-16 x 3/8	79 780152	"O" Ring
34 792079	Spring	80 792001	Sleeve, Stepped
35 792073	Screw, Flanged Hex Head, Thread Forming 1/4-20 x 1-1/4	81 786142	Ring, Square Cut
35A 792129	Screw, Hex Head, Thread Forming 5/16-18 x 1-1/4	82 788071	Bearing, Needle, Capped
36 780108	Washer, Thrust	83 780049	Sleeve, Stepped
37 780119	Bearing, Ball	84 786143	Bearing, Needle, Capped
38 780128	Washer, Thrust	85 780151	Sleeve, Stepped
39 780050	Bearing, Ball	86 786145	Ring, Square Cut
40 792128	Washer, Flat	87 788070	Bearing, Needle
41 788077	"O" Ring	88 780031	
42 788042	Seal, Oil		
43 780166	Washer, Cupped		
44 786131	Cap, Bearing		
45 780165	Washer, Flat		

NOTE: All component dimensions given in U.S. inches
1 inch = 25.4 mm

REPAIR PARTS

16 HP 44" RIDING GARDEN TRACTOR - - MODEL NUMBER GT160

DECALS



**KEY PART
NO. NO.**

DESCRIPTION

1	532108813	Decal, Engine Instruction
2	532125971	Decal, Air Cleaner, HP
3	532131588	Decal, Hood Stripe, L.H.
4	532131587	Decal, Hood Stripe, R.H.
5	532125989	Decal, Grill
6	532126035	Decal, Side Panel
7	532131582	Decal, Fender
8	532127520	Decal, USA
9	532120822	Decal, Fender
10	532101892	Decal, Clutch/Brake
11	532131589	Decal, Chassis
12	532121349	Decal, Danger
13	532105185	Decal, Caution
14	532121549	Decal, Battery
—	532131519	Manual, Owner's (English)
—	532131520	Manual, Owner's (French)
—	532101539	Sheet, Instruction, Tractor 15° Slope (English)
—	532101572	Sheet, Instruction, Tractor 15° Slope (French)